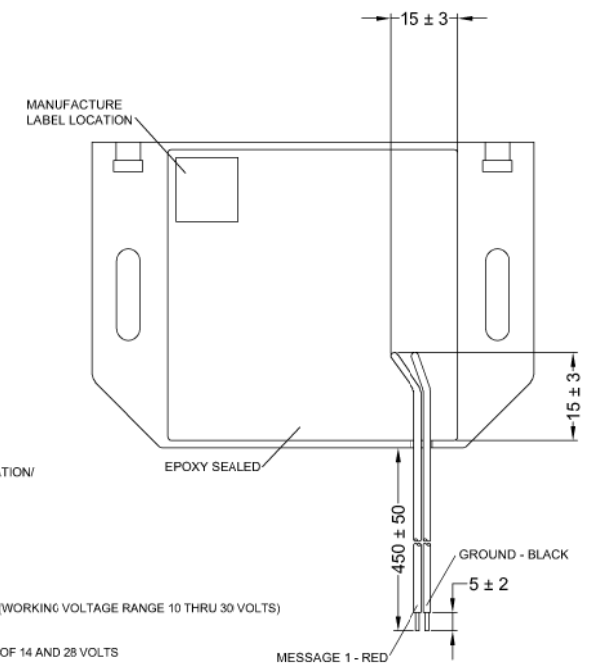
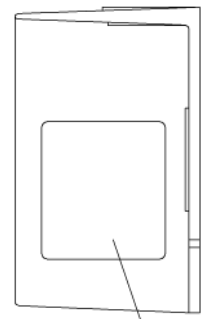
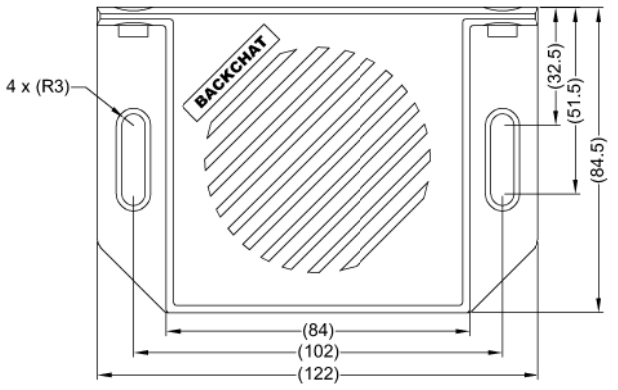
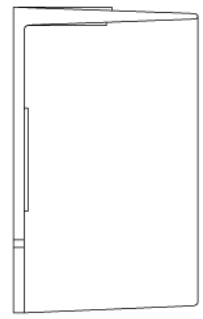
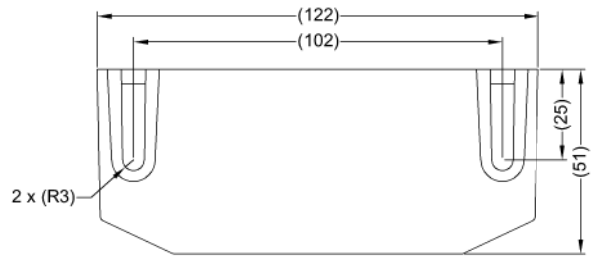


Revision Notes				
R1 -				
APA: -	Drawn:-	Checked:-	Approved:-	Date: --/--/----



**SPECIFICATION**

RATED VOLTAGE: 12 AND 24 VOLTS DIRECT CURRENT (WORKING VOLTAGE RANGE 10 THRU 30 VOLTS)  
 RATED CURRENT: 0.5 AMPERES OR LESS  
 SOUND PRESSURE: 90±4 DECIBELS AT TEST VOLTAGE OF 14 AND 28 VOLTS  
 CABLE THICKNESS: ALL CABLES 240.2MM  
 MESSAGE(S): "BESPOKE CUSTOM MESSAGE"  
 MESSAGE LIBRARY NUMBER(S): LIBRARY NUMBER IS ASSIGNED AFTER CONFIRMATION  
 VOICE/ACCENT: DEPENDENT ON CUSTOM MESSAGE  
 LANGUAGE: DEPENDENT ON CUSTOM MESSAGE

**NOTES:**

1. MATERIAL: ABS PLASTIC - ULTRA VIOLET STABILIZED
2. FOR PACKAGING AND LABELING DETAIL REFER TO LATEST VERSION OF MASTER BOM.
3. 2 X M6 X25 BOLTS, 2 X M6 FLAT WASHER & 2 X M6 NUTS ARE SUPPLIED IN A PRESS SEAL BAG IN THE BOX.
4. POWER & MESSAGE CABLE LENGTHS ARE MEASURED FROM CABLE ENTRY POINT ON HOUSING.

**PROPRIETARY NOTICE**

THIS DESIGN AND TECHNICAL INFORMATION APPEARING ON THIS DRAWING IS THE PROPERTY OF BRIGADE ELECTRONICS, AND IS DISCLOSED IN CONFIDENCE. IT IS NOT TO BE COPIED, REPRODUCED, REVEALED TO OR EXPROPRIATED BY OTHERS, EITHER IN WHOLE OR IN PART WITHOUT THE EXPRESS WRITTEN CONSENT OF BRIGADE ELECTRONICS.

Assembly PI Approval A.HEDDLE	Approved by B.JOHN	Checked by W.SINDEN	Drawn by J.STEWART
Angle of Projection 	Units mm	Scale N/A	Released 16/09/19
Status RELEASED	BC-01(B)		
Part No 0079A	BE-004182-00-19		

**BRIGADE**  
www.brigade-electronics.com